



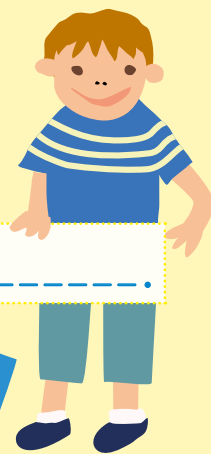
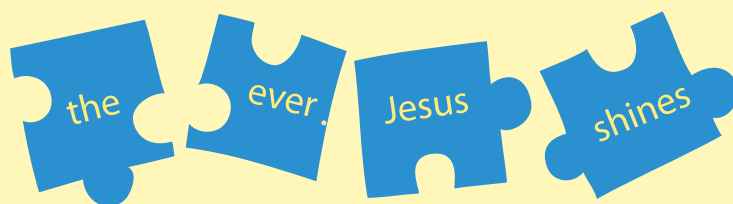
Sunday 2 January 2022
John 1:1-18
2nd Sunday
after the Nativity

In the
GOSPEL TODAY

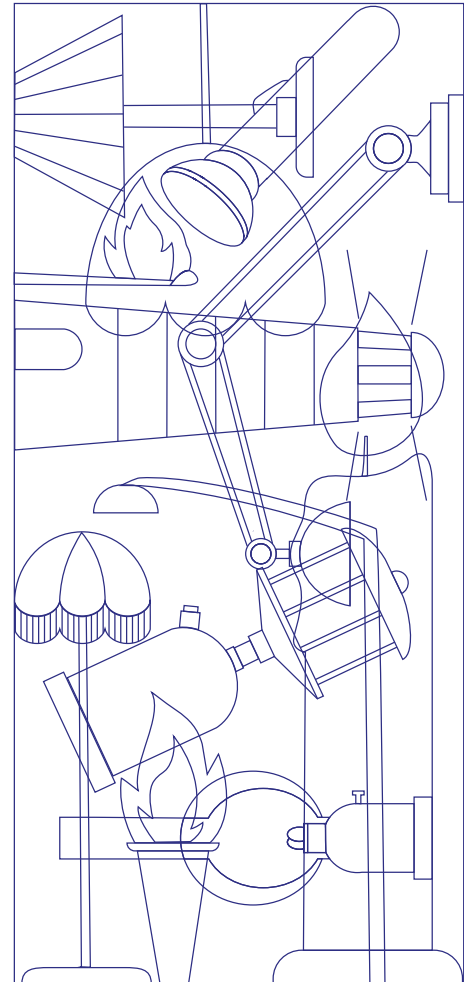
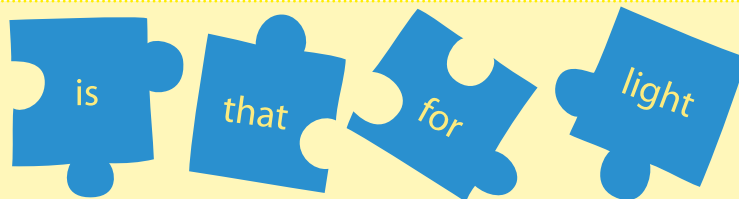
God the Son has become one of us and has come to live with us. Jesus is the light of world who gets rid of all the darkness in the world. Nothing bad will ever overpower the goodness of God. When we look at Jesus we can see just how much God the Father loves us.

Puzzle

This little boy is trying to sort out these jigsaw pieces so he can learn what it says.



Jesus _____



Search and find!

Can you find all of these twelve types of light hidden in the picture? Use lots of bright colours to finish it.

Table lamp, candle, ceiling light, standing lamp, trolley lamp, torch, paraffin light, fire torch, lighthouse, match, street light, angle poise lamp.



What did he do about it?

God loves us all so much that he sent his Son, _____, to bring light and love into the dark world.

I will bring
light and love
into the world
this week
when I...

A PRAYER TO SAY

Thank you, Jesus, for coming to live with us and for showing me how much God the Father loves me. Thank you for bringing light and love into the world. Help me to share your light and love with everyone I meet. Amen.

Wordsearch

Search out and find some of the ways we can shine with Jesus' light today:

CARE LOVE
HELP PRAY
JOY SMILE SHARE

S	H	A	R	E
M	H	E	L	P
I	J	O	Y	R
L	V	N	K	A
E	R	A	C	Y